

TAN. BOOTH EXTRACTION

OPERATION MANUAL

COMPONENTS LIST

EXTRACTION BOOTH COMPONENTS

Quantity	Parts
1	Base
1	Top
2	Double Fans
1	Middle
2	Middle Fan Joints
2	Bottom Side Panels
2	Top side Panels
20	Screws
20	Washers
1	Power Cord (a)
3	Connecting Cords (b, c, d)



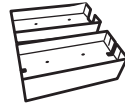
1x Power Cord (a)



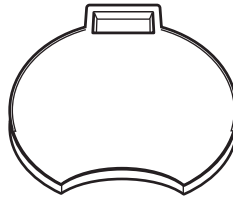
3x Connecting Cords (b, c, d)



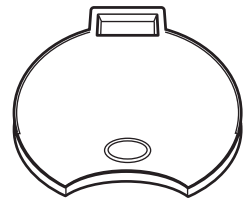
1x Middle



2x Middle Fan Joints



1x Base



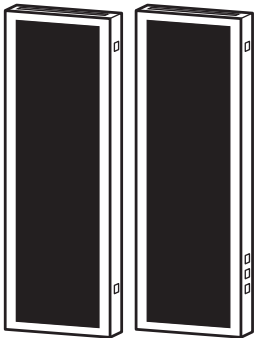
1x Top



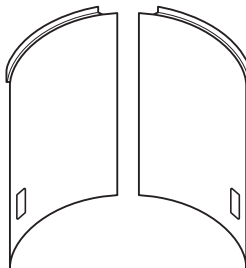
20x Screws



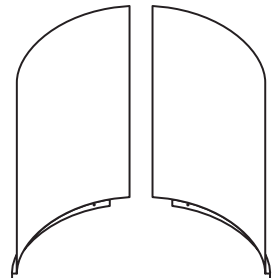
20x Washers



2x Double Fans



2x Top Side Panels



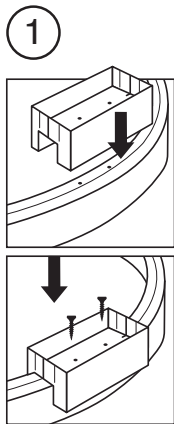
2x Bottom Side Panels

REGISTER YOUR
2 YEAR GUARANTEE

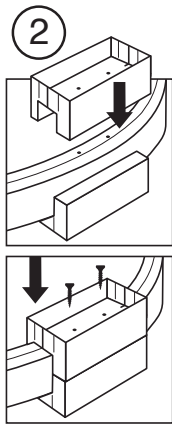


TRUBLE-FREE WARRANTY
2 YEAR
GUARANTEE

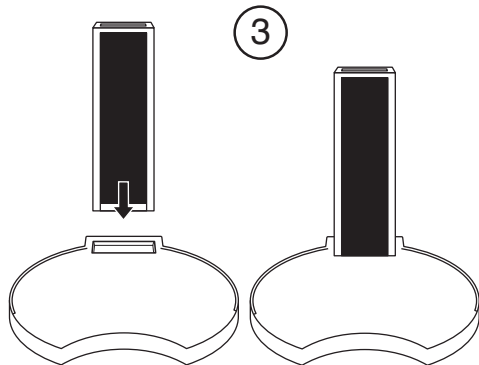
ASSEMBLY



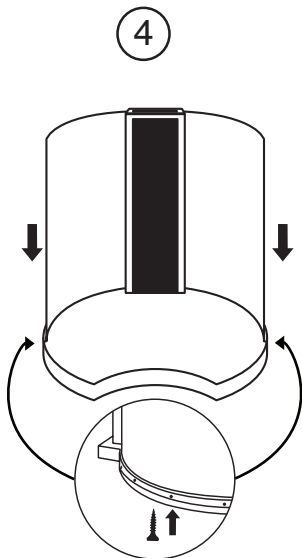
1. Place one middle fan joint onto the middle support section, ensure the screw holes are closest to the back. Use two screws with washers to join the parts.



2. Turn over and repeat the process with the other middle fan joint.

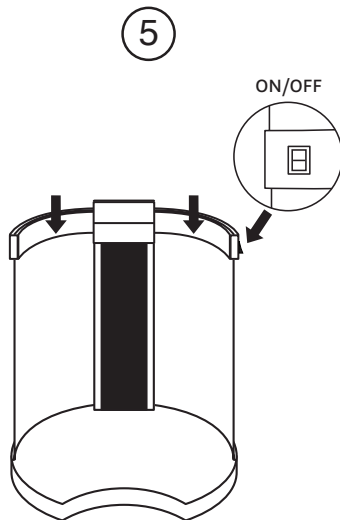


3. Slot the fan into the base piece.



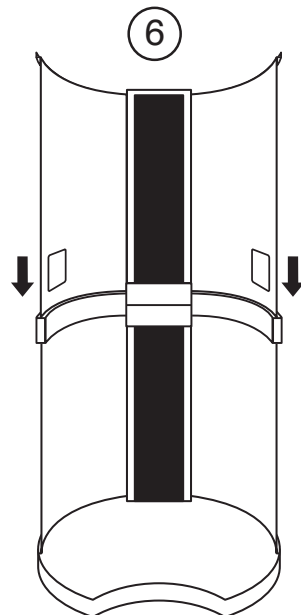
4. Insert side panels into the side of the fan and use 8 screws with washers to join the side panels to the base.

IMPORTANT: start with the screws at the front of each panel. Second person should stabilise fan and side walls whilst attaching screws.



5. Place the middle section over the fan and slot over the side panels.

IMPORTANT: Ensure the switch is on the right-hand side.

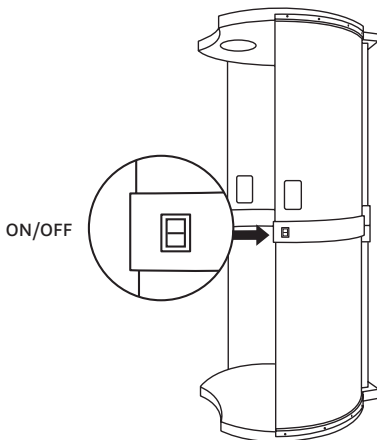


6. Insert the second fan into the back of the middle section. Insert each of the top side panels.

IMPORTANT: One person should hold the fan in place.

7

7. Lift the top section onto the fan. One person should hold the top in place whilst the other person fixes one screw with washer on the front of each side. Then Fix the remainder 6 screws and washers into place. Once all screws are in place you can connect all power cords and turn the unit on at the switch on the right hand side.

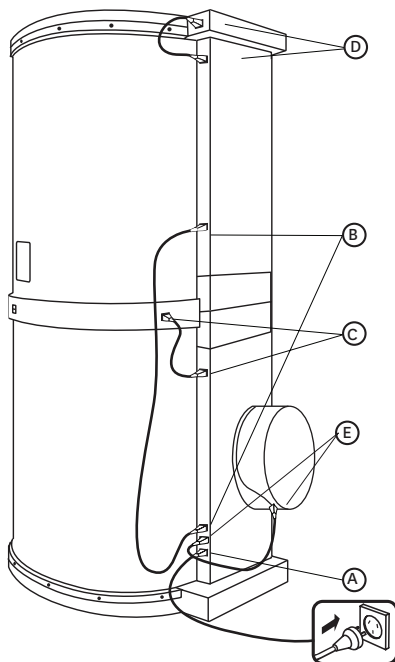


POWER CONNECTIONS

- A - connects power cord
- B - connects the top and bottom fans
- C - connects middle to bottom fan
- D - connects top fan to top light

ALL.IN.ONE.BOOTH

- E - additional connecting cord connects bottom fan to Tan.Lite (All-in-One Booth only).



IMPORTANT: Connect the power cord (A) last after you have connected all the other cords.

TAN.Booth ALL.IN.ONE

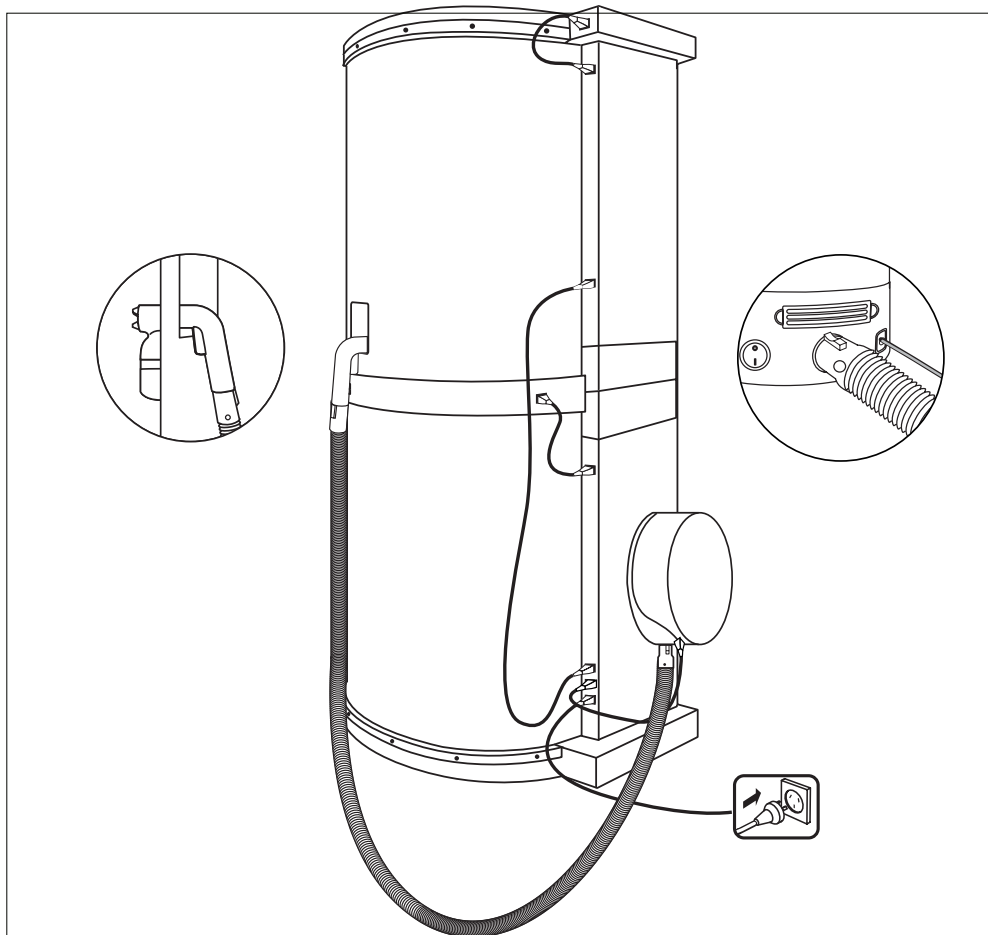
The TAN.Booth ALL.IN.ONE is the complete salon unit.

1. Attach the Tan.Easy Tan.Lite to the back of the booth as permanent fixture.
2. Attach the gun and hose to the Tan.Lite using the Quick Connect connection.
3. To minimise the use of power outlets, the Tan.Lite is easily connected to the Tan.Booth power source using a connecting cord.

ALL.IN.ONE BOOTH ADDITIONAL COMPONENTS

Quantity Parts

- | | |
|---|--|
| 1 | Tan.Easy - Tan.Lite |
| 1 | Tan.Easy - Hose (Quick Connect) |
| 2 | Tan.Easy - Excess Applicators
(Quick Connect) |
| 1 | Connecting Cord |



WARRANTY & GUARANTEE

TAN.EASY GUARANTEE

2 YEAR TROUBLE FREE WARRANTY

Congratulations on your purchase. We trust you will be happy with your purchase as the products are designed to give you many years of service.

To activate your Guarantee, please complete the information within 30 days of purchase.

This form has details of our guarantee terms & conditions so please read it carefully, fill it in and return it to the address at the back of this manual.

Alternatively you can register online at www.taneasyprotools.com.

Keep this form, with your original proof of purchase for any claim under guarantee.

If you have any queries or require further information on your product please contact your local representative of Tan.Easy Pro Tools Products.

GUARANTEE PERIOD BY PRODUCT

2 YEARS All products (Parts Only)

LIFETIME GUARANTEE: Handy.Tan Spray Gun

PLEASE NOTE: Shipping or return expenses are not covered.

TERMS & CONDITIONS

If within two (2) years from the date of purchase, the product fails due to a defect in material or workmanship, we will repair if possible or replace it free of charge with a comparable unit, which may be new or refurbished. This guarantee applies only to the original purchaser and is not transferable. The goods must be returned to the seller with proof of purchase to be assessed at the purchasers cost. This excludes the Handy.Tan Spray Gun, which has a lifetime guarantee. Prior to making a claim, please ensure you have read all trouble-shooting questions at www.taneasyprotools.com. If there is a defect with the device, it will be replaced free of charge with a comparable unit.

Guarantee shall not apply to any defect, failure or damage caused by improper use or improper or inadequate maintenance and care. The manufacturer shall not be obligated under this guarantee:

1. To repair damage resulting from attempts by personnel other than authorized representatives to install, repair or service the product.
2. To repair damage, malfunction, or degradation of performance resulting from improper use or incompatible solution.
3. To perform maintenance or cleaning or to repair damage, malfunction, or degradation of performance resulting from failure to perform user maintenance and cleaning as prescribed.
4. To repair damage, malfunction, or degradation of performance resulting from use of the product in an environment not meeting the operating specifications.

EXTENDED WARRANTY

Tan.Easy Extended Warranties can be purchased anytime within the first 30 days of your product purchase through the website - www.taneasyprotools.com.

Extended Warranty through Tan.Easy provides the peace of mind, certainty and convenience of having the whole repair/replace-ment process managed for you in respect of most mechanical and electrical failures, including failures caused by wear and tear, during the period of your Extended Warranty and after the expiry of the first 2 years Guarantee.

PURCHASE YOUR EXTENDED WARRANTY ONLINE : www.taneasyprotools.com.

**REGISTER YOUR
2 YEAR GUARANTEE**



WARNING & SAFETY

IMPORTANT SAFETY PRECAUTIONS

BEFORE USING THIS TAN.EASY PRODUCT, READ ALL INSTRUCTIONS AND CAUTIONARY MARKINGS IN THIS MANUAL AND ON THE DEVICE.

When using an electrical appliance, basic precautions should always be followed, including the following:

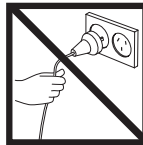
WARNING

TO REDUCE THE RISK OF FIRE, ELECTRIC SHOCK, OR INJURY:

1. Do not leave product when plugged in. Unplug from outlet when not in use and before servicing.
2. Do not use outdoors or on wet surfaces.
3. Do not allow to be used as a toy. Close attention is necessary when used by or near children.
3. This product is not intended for use by persons (including children) with reduced physical, sensory or mental capabilities, or lack of experience and knowledge, unless they have been given supervision or instruction concerning use of the appliance by a person responsible for their safety.
4. Use this device only for its intended function and do not use attachments not recommended by the authorized Tan.Easy Pro Tools manufacturer.
5. Do not use the device if the cord is damaged. In the event of damage discontinue use immediately. If the supply cord is damaged, it must be replaced by the authorized Tan.Easy manufacturer.
6. If device is not working as it should, has been dropped, damaged, left outdoors, or dropped into water, do not use, contact Tan.Easy Pro Tools Customer Care via the website or regional telephone number.
7. Do not pull or carry by cable, use cable as a handle, close a door on cable, or pull cable around sharp edges or corners. Keep cable away from heated surfaces.
8. Do not unplug by pulling on cable. To unplug, grasp the plug, not the cable.
9. Do not handle plug with wet hands.
10. Do not put any object into openings. Do not use with any opening blocked; keep free of dust, lint, hair, and anything that may reduce air flow. Switch off and unplug the product before attempting to remove any blockage.
11. Turn off all controls before unplugging.
12. Do not spray flammable or combustible liquids, such as gasoline, or use in areas where they may be present.
13. Do not use without the filter in place.
14. Never look directly into the airflow when device is in use.
15. Do not use an extension cord unless the cord complies with local regional electrical safety standards
16. Periodically inspect the power cord for signs of damage

SAVE THESE INSTRUCTIONS

This product is intended for professional use only.



Do not pull
on cable.



Do not submerge
in water or get
wet.



Do not use near
open flames

FOR MORE INFORMATION

ONLINE
VISIT OUR WEBSITE FOR MORE INFORMATION
WWW.TANEASYPROTOOLS.COM

